

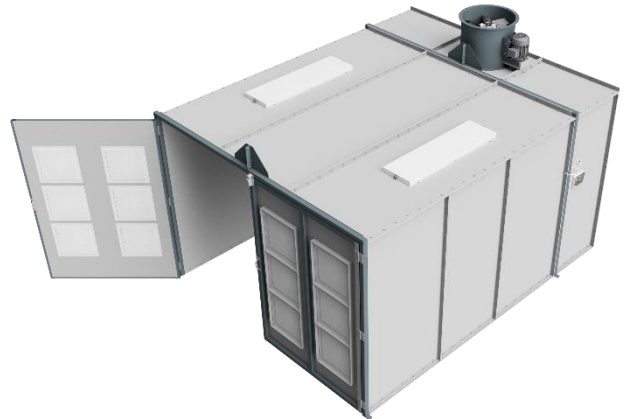
# WET COAT BOOTH BROCHURE



COOK MANUFACTURING



Large Equipment



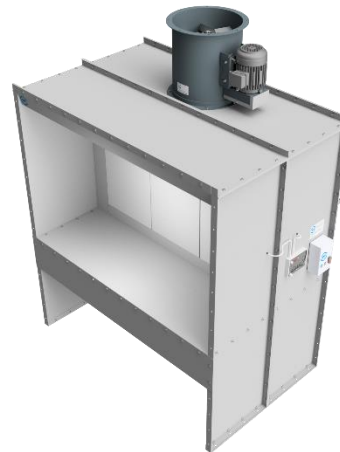
Enclosed



Open Face



Exhaust Wall



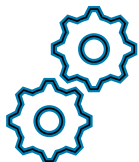
Bench



Table Top



Backed by 1 Year  
Manufacturer's  
Warranty



Engineered for  
Demanding  
Applications



Easy Nut and Bolt  
Assembly



Cost Effective Modular  
and Expandable Design

## STYLES:

- Open Face
- Bench
- Table Top
- Down Draft
- Large Equipment
- Exhaust Walls

## AIR FLOW OPTIONS:

- Cross Draft
- Down Draft
- Semi Down Draft
- Side Down Draft

## STANDARD CONSTRUCTION:

- Modular design with pre-punched panels for nut and bolt assembly
- Heavy Duty 18 Ga G90 Galvanized Steel Panels

## OPTIONAL CONSTRUCTION:

- White powder coated panels
- Double wall insulated panels

## CUSTOMIZATION:

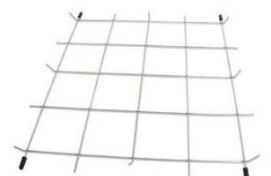
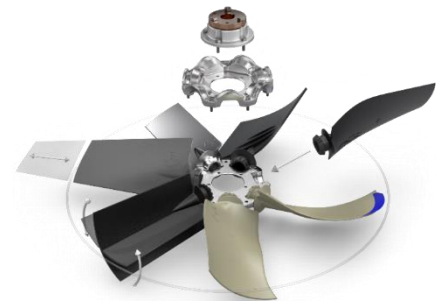
- Openings for conveyors and cranes

## TUBE AXIAL FAN:

- Non sparking polypropylene blade with aluminum hub
- Standard TEFC or totally enclosed fan cooled motor
- Dual heavy-duty pillow block bearings
- Durable powder coated finish

## FILTRATION:

- Filter grid with 20" X 20" openings
- Fiberglass filters with snap in holding grids



## CONTROLS:

- Manometer
  - Measures pressure differential and indicates when to change filters
- Optional variable speed controller
- Optional controls package



## LIGHTING:

- Ordinary, hazardous, and explosion proof options
- Fluorescent and LED options



## COMPLIANCE:

- Meets or exceeds NFPA 33 and OSHA 1910 requirements

## ACCESSORIES:

- Front doors (filtered / solid)
- Access doors
- Control package / VFD
- Ductwork
- Air make-up unit

