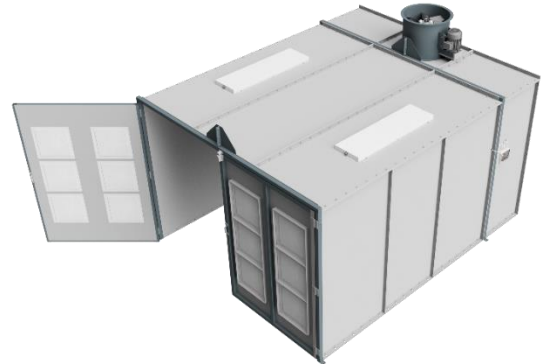
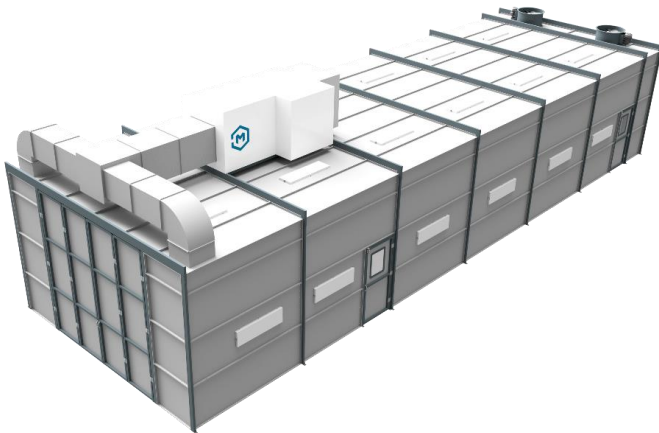




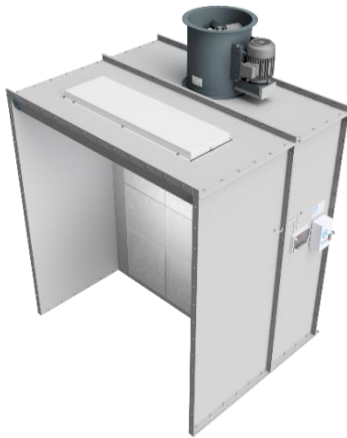
# POWDER COAT BOOTH BROCHURE

COOK MANUFACTURING



Large Equipment

Enclosed



Open Face

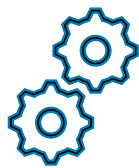
Exhaust Wall

Bench

Table Top



Backed by 1 Year  
Manufacturer's  
Warranty



Engineered for  
Demanding  
Applications



Easy Nut and Bolt  
Assembly



Cost Effective Modular  
and Expandable Design

## STYLES:

- Open Face
- Bench
- Table Top
- Down Draft
- Large Equipment
- Exhaust Walls

## AIR FLOW OPTIONS:

- Cross Draft
- Down Draft
- Semi Down Draft
- Side Down Draft

## STANDARD CONSTRUCTION:

- Modular design with pre-punched panels for nut and bolt assembly
- Heavy Duty 18 Ga G90 Galvanized Steel Panels

## OPTIONAL CONSTRUCTION:

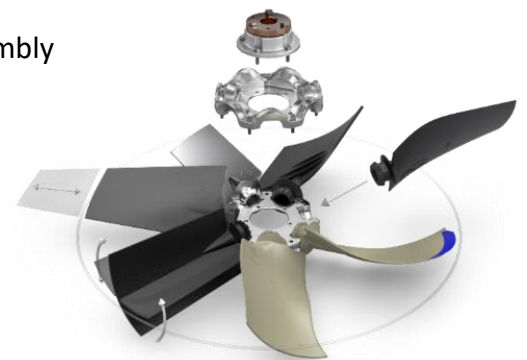
- White powder coated panels
- Double wall insulated panels

## CUSTOMIZATION:

- Openings for conveyors and cranes

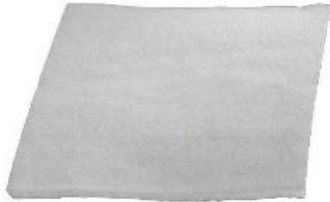
## TUBE AXIAL FAN:

- Non sparking polypropylene blade with aluminum hub
- Standard TEFC or totally enclosed fan cooled motor
- Durable powder coated finish



### 3 STAGE FILTRATION:

- The three-stage filtration system is used to recirculate the exhaust back into the building. Only stage 1 & 2 are used when exhausting to the outside.
  - Stage 1 – Polyester pad & holding grid
  - Stage 2 – 6 Pocket bag filter
  - Stage 3 – Final filter assembly



### CONTROLS:

- Manometer
  - Measures pressure differential and indicates when to change filters
- Optional variable speed controller
- Optional controls package



### LIGHTING:

- Ordinary, hazardous, and explosion proof options
- Fluorescent and LED options



### COMPLIANCE:

- Meets or exceeds NFPA 33 and OSHA 1910 requirements

### ACCESSORIES:

- Front doors (filtered / solid)
- Access doors
- Control package / VFD
- Ductwork
- Air make-up units

